

BROOKFIELD THERMOSEL WITH DV-II+PRO VISCOMETER

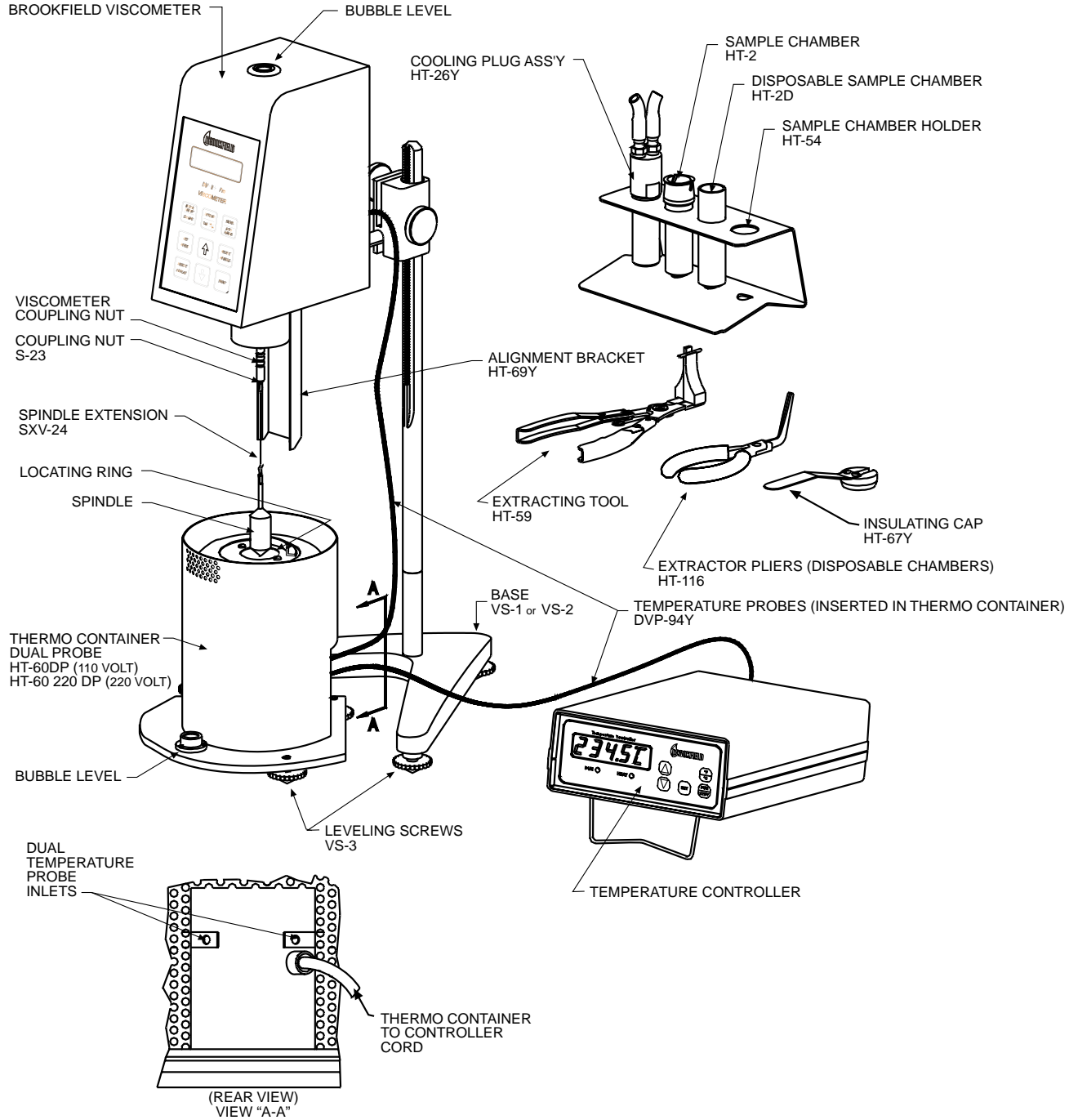


Figure 1